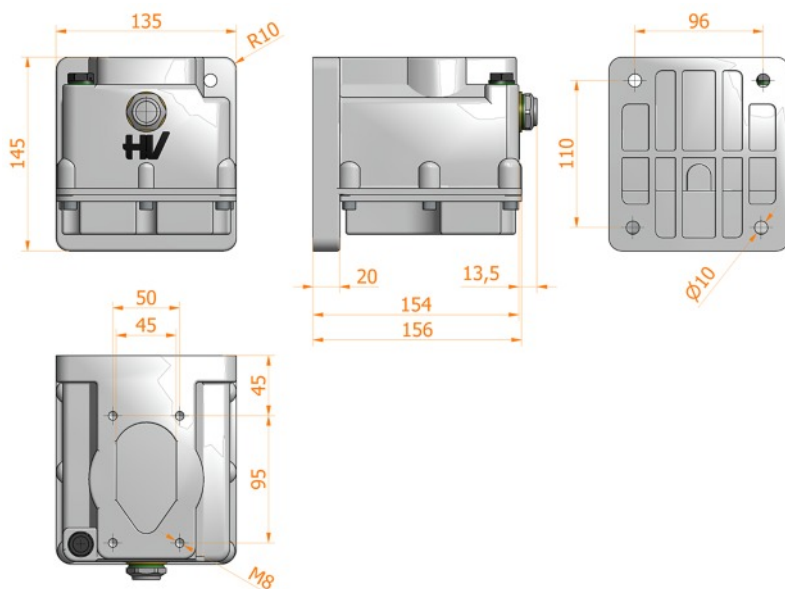
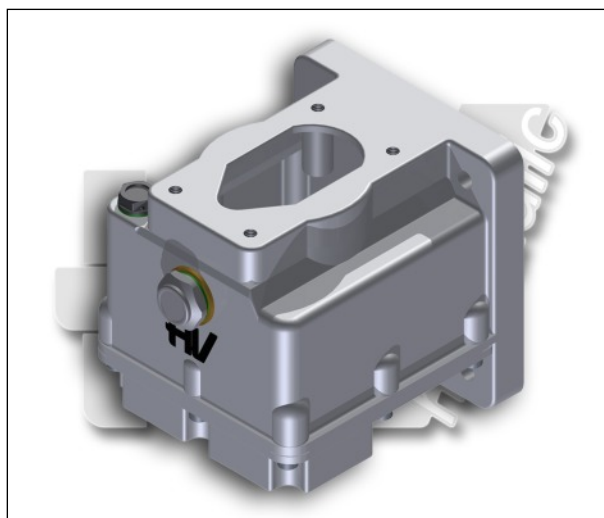


# ALUMINIUM OIL TANK

aluminium oil tank for hand pumps  
lt. 1



**Specifications:**

- Model S1 al
- Filler/drain plug 1/4 G
- Oil level plug 1/2 G
- Standard colour aluminium

CAPACITY liters	A mm	B mm	C mm	D mm	MASS KG	SUCTION PIPE	CODE
1	--	--	--	--	1,950	Ø10x85 mm	6500.0520